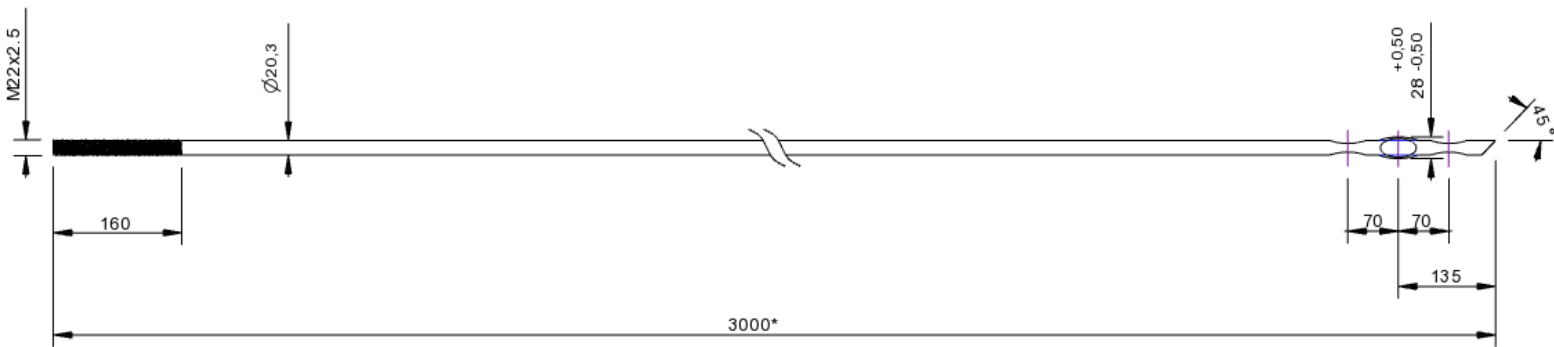


Technical specification GMA Elongation Bolt

One anchor point. M22, 20,3 mm, 3m

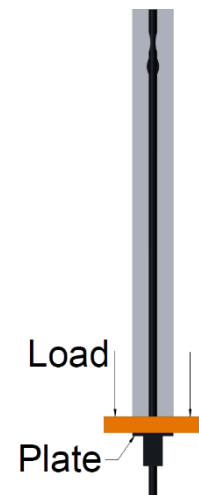


* Flexible based on customer preferences

Section 1.

Continues tube Drop test, weight 2048 kg. Drop height 2,16m	
Energy absorbed	32,6 kJ one drop, Σ two drops 58 kJ
Plate peak load	222 kN

(Cement casted/grouted)



Section 2.

Split tube. Drop test, weight 2048 kg. Drop height 2,16m	
Energy absorbed	37 kJ one drop, Σ two drops 62 kJ
Peak load	240 kN

(Cement casted/grouted)

